

IPS05H10-EM

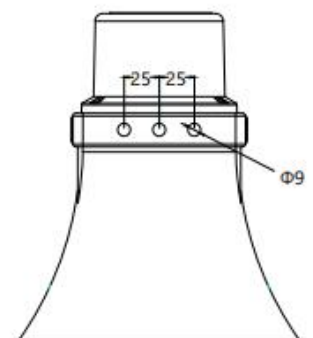
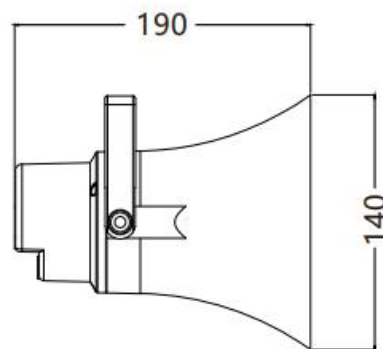
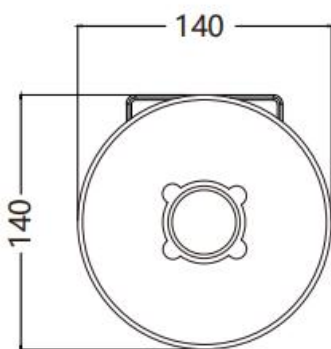
10W IP Horn Speaker with Mic



Key Features

- IP66 waterproof design for installation in outdoors
- PoE eliminates need for local power supply
- Support web firmware upgrade for easy maintenance
- Standard SIP protocol to compatible with other SIP devices
- Support pre-recorded messages
- Support HTTP API for alarm in transmit
- Support RTP Multicast as alternation of SIP backend system

Dimensions



Specification

Audio	
Codec	G.711 PCMU 8 kHz, G.711 PCMA 8 kHz
Audio Input	Built-in Mic
Speaker	
Max SPL	100dB
Frequency Response	300Hz ~ 8kHz
Signal to Noise Ratio	91dB
Network	
Security	Password protection, complicated password, HTTPS encryption, basic and digest authentication for HTTP/HTTPS, TLS 1.1/1.2, WSSE and digest authentication for Open Network Video Interface, Digest authentication
Network Protocol	SIP, ONVIF, HTTP, IPv4, DHCP, RTSP, RTP, RTCP, TCP, UDP, ARP, NTP
Network Interface	10/100 Base-TX, RJ45
VoIP	Support for SIP protocol for integration with VoIP systems, integrated with SIP/PBX.
	Support ONVIF protocol for interaction with security systems, integrated with ONVIF VMS/NVR. 2 SIP Accounts, RTP Multicast
	Support codecs: G711U, G711A, MP3
Amplifier	
Amplifier Description	Built-in 10W Amplifier
Interface	
Alarm Input	Alarm in x2
Audio Input	Audio in x1
Local Storage	Built-in 2Gb NAND Flash (Audio file storage is 100MB.)
General	
Operating Conditions	(-25°C ~ +55°C) (-13°F ~ 131°F) Humidity 95% or less (non-condensing)
Protection Level	IP66
Power Consumption	10W
Power Supply	POE (802.3af)
Installation	Wall mounted
Material	ABS
Dimensions	Φ 5.51" x 7.48" (Φ 140 x 190 mm)
Net Weight	2.2 lb (1kg)
Languages	English
Warranty	2 years