

IPC8MST2R8-AD-TPMSC

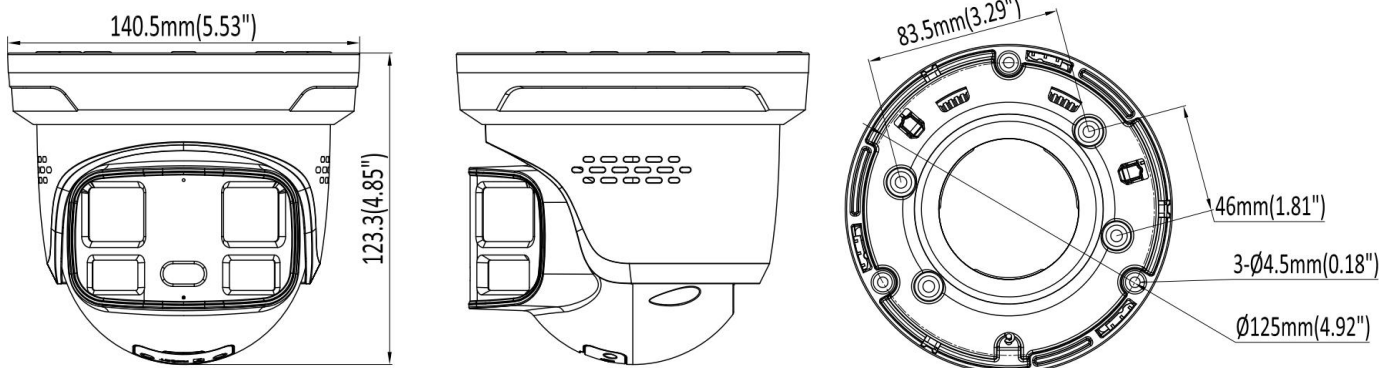
8MP Dual Lens Fixed Turret Network Camera



Key Features

- High quality imaging with 8MP resolution
- Dual 1/2.7" Progressive Scan CMOS Sensor
- Clear imaging against strong backlight due to 120dB WDR technology
- Focus on Person and Vehicle, motorcycle classification based on deep learning
- Smart Dual Light: Integrates IR and White lights, 3 supplemental lighting modes
- Built-in arrayed dual-microphone for real-time high-quality audio security
- Active red and blue strobe light, speaker and audio alarm to warn intruders off
- Water and dust resistant (IP67)

Dimensions



Specification

Camera	
Image Sensor	Dual 1/2.7" Progressive scan CMOS Sensor
Min. Illumination	0.005 lux@F1.4 (Color, 30 IRE) 0.0005 lux@F1.4 (B/W, 30 IRE) 0 lux (Illuminator on)
Illumination Distance	Dual light IR 30 m, Warm Light 30 m
Pan/Tilt/Rotation Range	Pan: 0° ~ 360° Tilt: 0° ~ 75° Rotation: 0° ~ 360°
Lens	
Focal Length	2.8 mm
Aperture	F1.4
FOV	Horizontal: 180°, Vertical: 86°
Compression Standard	
Video Compression	H.264/H.264+/H.265/H.265+/MJPEG
H.264 Codec Profile	Base/Main/High profile
H.265 Codec Profile	Main Profile
Video Bit Rate	128 Kbps to 16 Mbps
Triple Streams	Support
Audio Compression	G.711A, G.711U
Audio Bit Rate	64 Kbps
Image	
Max. Image Resolution	4096 (H) × 1860 (V)
Main Stream	4096 × 1860@(1-20 fps)
Sub Stream	1200 × 530@(1-20 fps)
Third Stream	1920 × 860@(1-20 fps)
Image Setting	Brightness/Contrast/Saturation/Hue/Sharpness
Shutter Time	Auto/Manual, 1/3 ~ 1/100000s
Day/Night	24/7 Color imaging
Wide Dynamic Range	130dB
Digital Noise Reduction	3D DNR
BLC	Support
HLC	Support

ROI	Support
Smart Feature	
Basic Event	Motion detection, Video Shlter
Smart Event	Smart motion detection, Line crossing, intrusion, region entrance, region exiting (support alarm triggering by specified target types (human and vehicle, motorcycle))
Network	
Network Storage	NAS (NFS, SMB/CIFS)
Protocols	TCP/IP, ICMP, HTTP, HTTPS, FTP, DHCP, DNS, DDNS, RTP, RTSP, RTCP, NTP, IGMP, UPnP, SMTP, UPnP-TM, P2P
System Compatibility	Onvif (Profile S, G,T) , CGI, SDK
Security	HTTPS encryption, IP address filter, basic and digest authentication for HTTP/HTTPS, TLS 1.1/1.2, WSSE and digest authentication for Open Network Video Interface
User	Up to 40 users
Web Browsers	Plug-in required live view: IE 10, IE 11 Plug-in free live view: Chrome 57.0+, Firefox 52.0+, Local service: Chrome 57.0+, Firefox 52.0+
Mobile Surveillance	IOS, Android
Active Deterrence	
Red/Blue Light Warning	Support
Sound Warning	Support
Interface	
Communication Interface	1 RJ45 10 M/100 M self-adaptive Ethernet port
On-board Storage	Up to 256GB
MIC	Built-in dual mic
Speaker	Yes, built-in speaker Max power consumption: 2 W; max sound level at 10 cm: 114 dB * Test results from laboratory
Audio I/O	1/1
Alarm I/O	1/1
Reset Button	Support
General	
Operating Conditions	(-40°C ~ 60°C) (-40°F ~ 140°F) Humidity 95% or less (non-condensing)
Power Supply	DC12V ± 25%
POE	PoE (802.3 af)
Power Consumption	Basic: 4.7 W (12 VDC); 6.1 W (PoE) Max: 11 W (12 VDC); 14.3 W (PoE)
Protection Level	IP67
Material	Metal

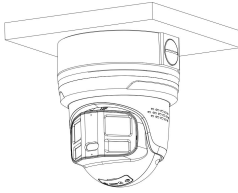
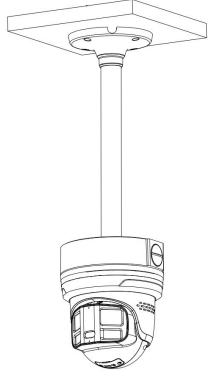
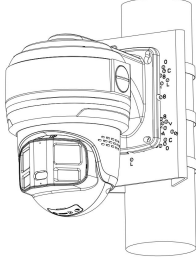
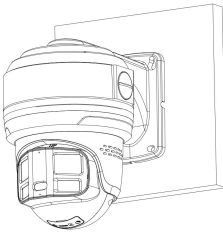
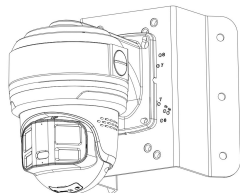
Dimensions	Φ 5.53" × 4.85" (140.5 x 123.3mm)
Gross Weight	1050 g (2.31 lb)

Accessory

Optional

AC-JB05	AC-WM05	AC-PM03	AC-CMB02	AC-PC06
				

Installation Methods

Junction Box	Pendant Mounting	Vertical Pole Mounting	Wall Mounting	Corner Mounting
				
IPC8MST2R8+JB05	IPC8MST2R8+JB05+CMB02	IPC8MST2R8+JB05+WM05 +PM03	IPC8MST2R8+JB05+PM03	IPC8MST2R8+JB05+PM03+ PC06