

IPC6TV2R5-I2-TPMLZ

5MP Starlight Motorized Turret Network Camera



Key Features:

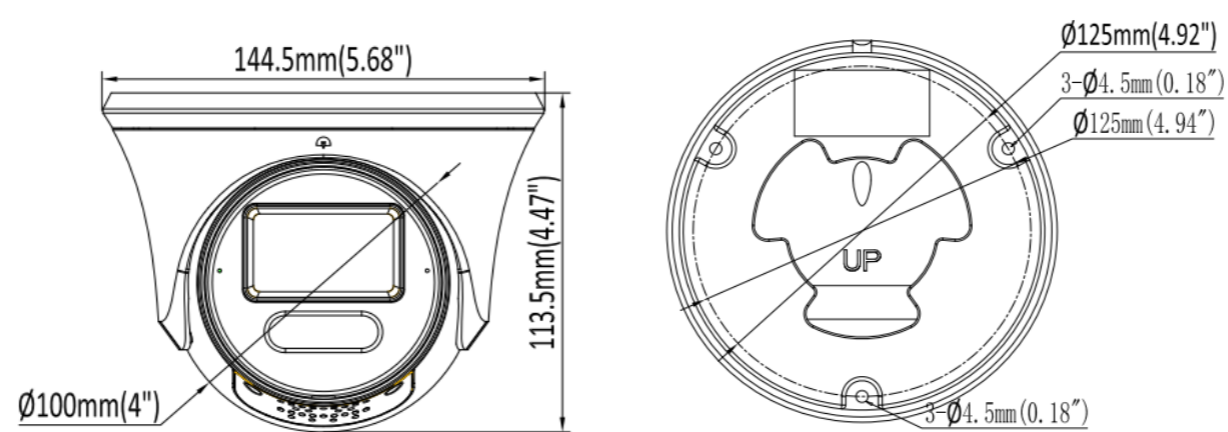
- High quality imaging with 5MP resolution
- Motorized varifocal lens for easy installation and monitoring
- Efficient H.265+ compression technology
- Clear imaging against strong backlight due to 120 dB WDR technology
- Focus on human and vehicle targets classification based on deep learning
- Water and dust resistant (IP67)
- Built-in microphone, audio and alarm interface available

Specifications

Camera	
Image Sensor	1/2.7" Progressive scan CMOS Sensor
Min. Illumination	0.006 Lux(Color), 0 Lux(IR on)
Lens Type&Focal Length	motorized Varifocal lens, 2.7~13.5mm
FOV	horizontal FOV:112°~35.5°, vertical FOV:59°~20°, diagonal FOV: 134°~41°
IR	4pcs Array LED
IR Range	131ft(40m <IR light>)
StrobeLight	Support
Smart IR	Support
Shutter Time	Auto/Manual, 1/3~1/100000s
Day/Night	IR cut filter with auto switch
Wide Dynamic Range	120dB
Digital noise reduction	2D/3D DNR
Compression Standard	
Video Compression	H.264/H.264+/H.265/H.265+/MJPEG
H.264 Codec profile	Base/Main/High profile
H.265 Codec profile	Main profile
Video Bit Rate	11 Kbps~10 Mbps
Triple Streams	Support
Audio Compression	G.711A/G.711U
Audio Bit Rate	64 Kbps
Image	
Max. Image Resolution	5M(2880 x 1620)
Frame Rate	50Hz:25fps 5M(2880 x 1620) 25fps 4M(2688 x 1520) 25fps 4M(2560 x 1440) 25fps 1080P(1920 x 1080) 60Hz:30fps 5M(2880 x 1620) 30fps 4M(2688 x 1520) 30fps 4M(2560 x 1440) 30fps 1080P(1920 x 1080)
Sub Stream	50Hz: 25fps 720P(1280 x 720) 25fps D1(704 x 576), 25fps CIF(352 x 288) 60Hz: 30fps 720P(1280 x 720) 30fps D1(704 x 480), 30fps CIF(352 x 240)
Third Stream	50Hz: 25fps CIF(352 x 288) 60Hz: 30fps CIF(352 x 240)
Image Setting	Brightness/Contrast/Saturation/Hue/Sharpness
BLC	Support
HLC	Support
ROI	Support
Defog	Support
Rotate	Support
Network	
Network Storage	NAS (NFS, SMB/CIFS), ANR
Protocols	TCP/IP, ICMP, HTTP, HTTPS, FTP, DHCP, DNS, DDNS, RTP, RTSP, RTCP, NTP, IGMP, UPnP, SMTP, UPnP-TM, P2P
Basic Event	Motion detection (support alarm triggering by specified target types (human and vehicle)), Video Shelter
Face Detection	Support
Perimeter Protection	Line crossing detection, Area intrusion, Region Entrance, Region Exiting(support alarm triggering by specified target types (human and vehicle)) Scene Change Detection
System compatibility	Onvif(Profile S, Profile G, T), SDK
Security	Password protection, complicated password, HTTPS encryption, IP address filter, basic and digest authentication for HTTP/HTTPS, TLS 1.1/1.2, WSSE and digest authentication for Open Network Video Interface
Web Browsers	Plug-in required live view: IE 10, IE 11 Local service: Chrome 57.0+, Firefox 52.0+
Mobile Surveillance	iPhone, Android devices
Interface	
Communication interface	1 RJ45 10 M/100 M self-adaptive Ethernet port
On-board storage	Micro SD, up to 256GB
Audio I/O	1/1
Built-in Mic	Support
Alarm I/O	1/1
Reset button	Support

General	
Operating Conditions	-40°F ~ 140°F (-40°C ~ 60°C) Humidity 95% or less (non-condensing)
Power Supply	DC12V ± 25%
POE Supply	PoE (802.3af)
Power Consumption	MAX.9.5W
Weather Proof	IP67
Vandalproof	N/A
Dimensions	Φ5.68" × 4.47" (144.5 × 113.5 mm)
Weight	1100g

■ Dimensions



■ Related Accessories

Junction Box, $\Phi 142 \times 46.5\text{MM}$ AC-JB04	Junction Box, $145 \times 145 \times 53.5\text{MM}$ LB01B	Pole Mount AC-PM02	Pendent Mount AC-CMB02

© Homaxi Inc. All rights reserved.

*Product specifications are subject to change without notice.