

IPC6TF4R5-I2-TML

5MP Starlight Fixed Turret Network Camera



Key Features:

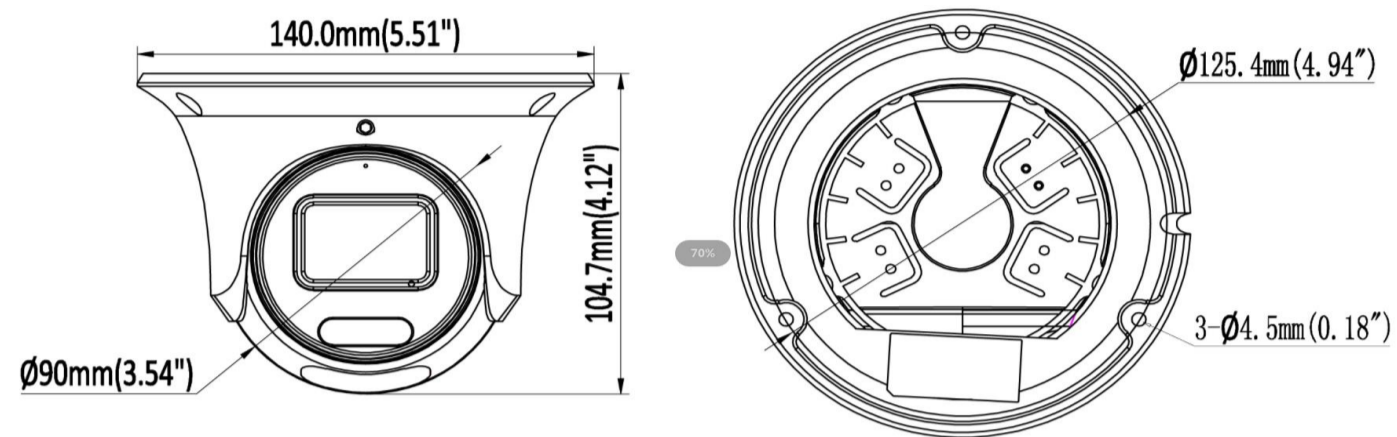
- High quality imaging with 5MP resolution
- Efficient H.265+ compression technology
- Clear imaging against strong backlight due to 120 dB WDR technology
- Focus on human and vehicle targets classification based on deep learning
- Water and dust resistant (IP67)
- Built-in microphone for real-time audio security

Specifications

| Camera | |
|-------------------------|--|
| Image Sensor | 1/2.7" Progressive scan CMOS Sensor |
| Min. Illumination | 0.006 Lux(Color), 0 Lux(IR on) |
| Illuminator Number | 2(IR light) |
| Illumination Distance | 98ft(30m <IR light>) |
| StrobeLight | Support |
| Smart Light | Support |
| Pan/Tilt/Rotation Range | Pan: 0°~360° Tilt: 0°~75° Rotation: 0°~360° |
| Lens | |
| Focal Length | 2.8mm |
| Aperture | F1.6 |
| FOV | 2.8mm@F1.6 horizontal FOV: 111° , vertical FOV: 60° diagonal FOV: 132° |
| Lens Mount | M12 |
| Compression Standard | |
| Video Compression | H.264/H.264+/H.265/H.265+/MJPEG |
| H.264 Codec profile | Base/Main/High profile |
| H.265 Codec profile | Main profile |
| Video Bit Rate | 11 Kbps~10 Mbps |
| Triple Streams | Support |
| Audio Compression | G.711A, G.711U |
| Audio Bit Rate | 64 Kbps |
| Image | |
| Max. Image Resolution | 5M(2880 x 1620) |
| Main Stream | 50Hz:25fps 5M(2880 x 1620) 25fps 4M(2688 x 1520) 25fps 4M(2560 x 1440) 25fps 1080P(1920 x 1080) 60Hz:30fps 5M(2880 x 1620) 30fps 4M(2688 x 1520) 30fps 4M(2560 x 1440) 30fps 1080P(1920 x 1080) |
| Sub Stream | 50Hz: 25fps 720P(1280 x 720) 25fps D1(704 x 576), 25fps CIF(352 x 288) 60Hz: 30fps 720P(1280 x 720) 30fps D1(704 x 480), 30fps CIF(352 x 240) |
| Third Stream | 50Hz: 25fps CIF(352 x 288) 60Hz: 30fps CIF(352 x 240) |
| Image Setting | Brightness/Contrast/Saturation/Hue/Sharpness |
| Shutter Time | Auto/Manual, 1/3~1/100000s |
| Day/Night | IR cut filter |
| Wide Dynamic Range | 120dB |
| Digital noise reduction | 2D/3D DNR |
| BLC | Support |
| HLC | Support |
| ROI | Support |
| Rotate | Support |
| Smart Feature | |
| Basic Event | Motion detection (support alarm triggering by specified target types (human and vehicle)), Video Shelter |
| Smart Event | Line crossing detection, Area intrusion, Region Entrance, Region Exiting(support alarm triggering by specified target types (human and vehicle)), Scene Change Detection |
| Face Detection | Support |
| Network | |
| Network Storage | NAS (NFS, SMB/CIFS), ANR |
| Protocols | TCP/IP, ICMP, HTTP, HTTPS, FTP, DHCP, DNS, DDNS, RTP, RTSP, RTCP, NTP, IGMP, UPnP, SMTP, UPnP-TM, P2P |
| System compatibility | Onvif(Profile S, Profile G, T), SDK |
| Security | Password protection, complicated password, HTTPS encryption, IP address filter, basic and digest authentication for HTTP/HTTPS, TLS 1.1/1.2, WSSE and digest authentication for Open Network Video Interface |
| User | Up to 40 users |
| Web Browsers | Plug-in required live view: IE 10, IE 11 Local service: Chrome 57.0+, Firefox 52.0+ |
| Mobile Surveillance | iOS, Android |
| Interface | |
| Communication interface | 1 RJ45 10 M/100 M self-adaptive Ethernet port |
| On-board storage | up to 256GB |
| MIC | Support |
| Speaker | N/A |
| Audio I/O | N/A |
| Alarm I/O | N/A |
| Reset button | Support |

| General | |
|----------------------|---|
| Operating Conditions | -40°F ~ 140°F (-40°C ~ 60°C) Humidity 95% or less (non-condensing) |
| Power Supply | DC12V ± 25% |
| POE | PoE (802.3af) |
| Power Consumption | MAX.6.5W |
| Protection Level | IP67 |
| Material | Metal |
| Dimensions | Φ5.51" × 4.12" (140 × 104.7 mm) |
| Gross Weight | 800g |

■ **Dimensions**



■ **Related Accessories**

| Junction Box, non-waterproof, $\phi 102 \times 40\text{MM}$ LB02 | Junction Box, $\phi 142 \times 46.5\text{MM}$ AC-JB04 | Junction Box, $145 \times 145 \times 53.5\text{MM}$ LB01B | Pole Mount AC-PM02 | Pendent Mount AC-CMB02 |
|--|---|---|------------------------------|----------------------------------|
| | | | | |

© Homaxi Inc. All rights reserved.

*Product specifications are subject to change without notice.