

IPC4DF2R5-I1-TML

5MP Starlight Fixed Dome Network Camera



Key Features:

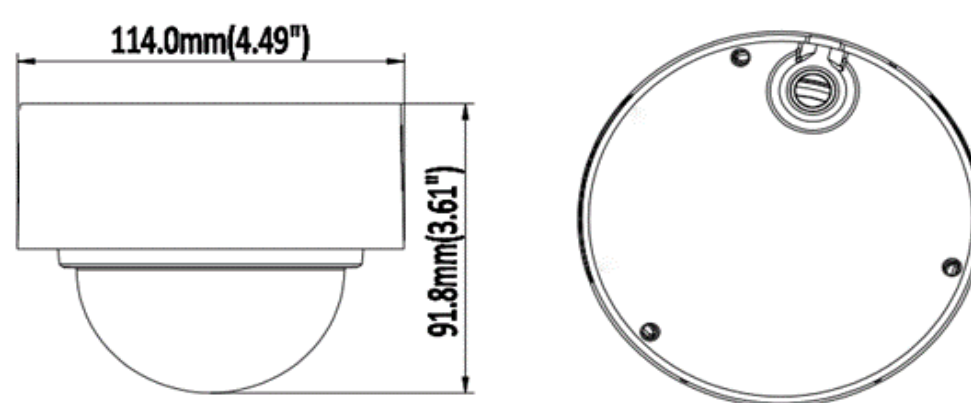
- High quality imaging with 5MP resolution
- Efficient H.265+ compression technology
- Clear imaging against strong backlight due to 120 dB WDR technology
- Water and dust resistant (IP67) and vandal proof (IK10)
- Built-in microphone for real-time audio security

■ Specifications

Camera	
Image Sensor	1/2.7" Progressive scan CMOS Sensor
Min. Illumination	0.006 Lux(Color), 0 Lux(with light)
Illuminator Number	2(IR light)
Illumination Distance	98ft(30m)
StrobeLight	Support
Smart Light	Support
Pan/Tilt/Rotation Range	Pan: 0°~355° Tilt: 0°~75° Rotation: 0°~355°
Lens	
Focal Length	2.8mm
Aperture	F1.6
FOV	2.8mm@F1.6 horizontal FOV: 111° , vertical FOV: 60°diagonal FOV: 132°
Lens Mount	M12
Compression Standard	
Video Compression	H.265/H.265+/H.264/H.264+/MJPEG
H.264 Codec profile	Base/Main/High profile
H.265 Codec profile	Main profile
Video Bit Rate	11 Kbps~8 Mbps
Triple Streams	N/A
Audio Compression	G.711A, G711U
Audio Bit Rate	64 Kbps
Image	
Max. Image Resolution	5MP(2880 x 1620)
Main Stream	50Hz: 25fps 5MP(2880 x 1620) 25fps 4MP(2560 x 1440) 25fps 1080P(1920 x 1080) 60Hz: 30fps 5MP(2880 x 1620) 30fps 4MP(2560 x 1440) 30fps 1080P(1920 x 1080)
Sub Stream	50Hz: 25fps 720P(1280 x 720) 25fps D1(704 x 576),25fps CIF(352 x 288) 60Hz: 30fps 720P(1280 x 720) 30fps D1(704 x 480),30fps CIF(352 x 240)
Third Stream	N/A
Image Setting	Brightness/Contrast/Saturation/Hue/Sharpness
Shutter Time	Auto/Manual, 1/3~1/100000s
Day/Night	IR cut filter with auto switch
Wide Dynamic Range	120dB
Digital noise reduction	2D/3D DNR
BLC	Support
HLC	Support
ROI	Support
Rotate	Support
Smart Feature	
Basic Event	Motion detection (human and vehicle targets classification),Video Shelter
Smart Event	Line Crossing , Area Intrusion (support alarm triggering by specified target types (human and vehicle))
Face Detection	N/A
Network	
Network Storage	NAS (NFS, SMB/CIFS), ANR
Protocols	TCP/IP, ICMP, HTTP, HTTPS, FTP, DHCP, DNS, DDNS, RTP, RTSP, RTCP, NTP, IGMP, UPnP, SMTP, UPnP-TM, P2P
System compatibility	Onvif(Profile S, Profile G, T), SDK
Security	Password protection, complicated password, HTTPS encryption, IP address filter, basic and digest authentication for HTTP/HTTPS, TLS 1.1/1.2, WSSE and digest authentication for Open Network Video Interface
Web Browsers	Plug-in required live view: IE 10, IE 11 Local service: Chrome 57.0+, Firefox 52.0+
User	Up to 10 users
Mobile Surveillance	iOS, Android

Interface	
Communication interface	1 RJ45 10 M/100 M self-adaptive Ethernet port
On-board storage	up to 256GB
MIC	Support
Speaker	N/A
Audio I/O	N/A
Alarm I/O	N/A
Reset button	Support
General	
Operating Conditions	-40°F ~ 140°F (-40°C ~ 60°C) Humidity 95% or less (non-condensing)
Power Supply	DC12V ± 25%
POE	PoE (802.3af)
Power Consumption	MAX.6.5W
Protection Level	IP67
Material	Metal
Dimensions	Φ4.49" × 3.61" (114 × 91.8mm)
Gross Weight	800g

■ Dimensions



■ Related Accessories

Junction Box, Φ112.5*49.5MM AC-JB02	Junction Box, Φ112.5*41MM LB11	Wall mount, Φ183.5*105.8MM AC-WM02	Pole Mount AC-PM02	Pendent Mount AC-CMB02

© Homaxi Inc. All rights reserved.

*Product specifications are subject to change without notice.