



HOMAXI IQB-43C

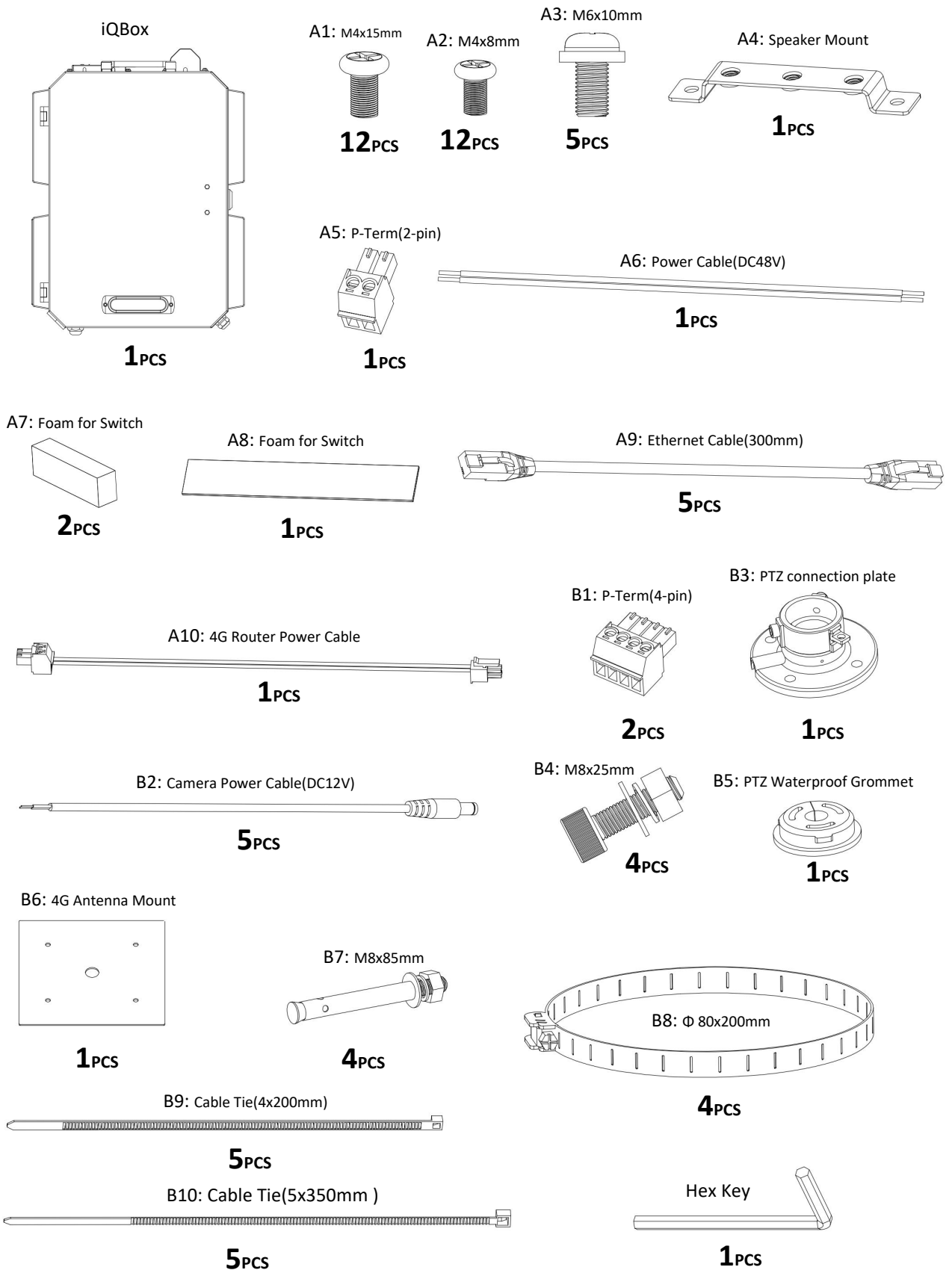
QUICK START GUIDE

Technical Support



V1.0.0

WHAT'S IN THE BOX



FEATURES

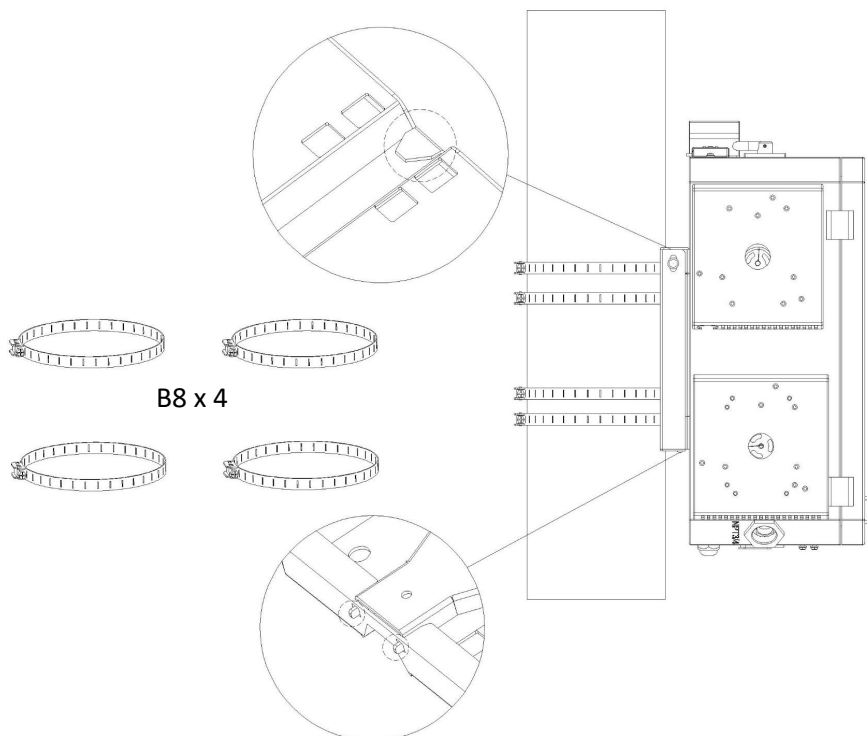
- 1x iQBox, support wall mount and pole mount
- Support 3 cameras
- 1 x red and blue strobe light
- Support 1 x horn speaker
- Optional with 4G router or wireless bridge



MOUNTING THE IQBOX

Pole Mount

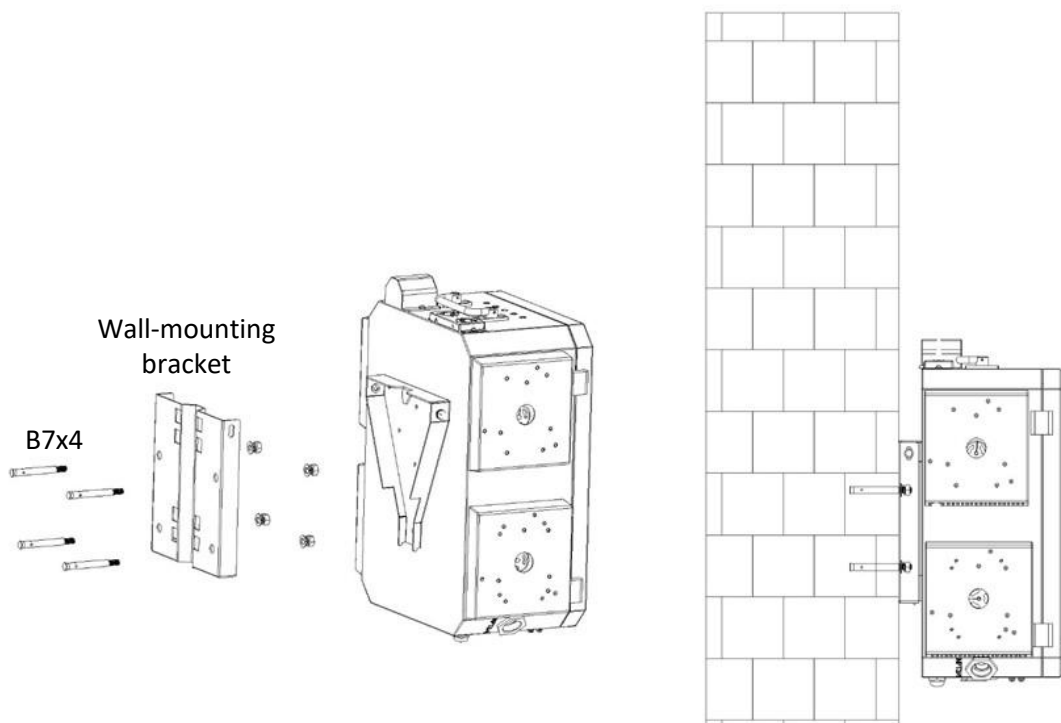
1. Fasten the wall-mounting bracket to the vertical pole with 4 stainless steel (Φ 80x200mm) fasteners.



2. Mount the iQBox onto the mounting bracket and fix it in the position shown in the figure above.

Wall Mount

1. Use the wall-mounting bracket of iQBox to mark the positions of 4 drill holes. Select a 10mm percussion drill bit to drill 4 holes on the wall, with the drilling depth ranging from 90mm to 95mm.



2. Insert the expansion screws(M8x85mm) into the drill holes, tighten the nuts to fix the wall-mounted bracket to the wall.

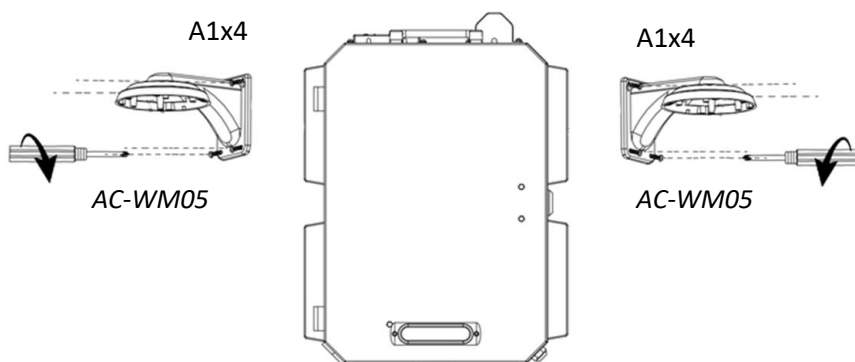
[NOTE] For safety purposes, after the installation is complete, firmly pull it up and down two to three times to check if it is secure. The load-bearing capacity allows for a downward pull of up to 50 kg and an upward push of 15 to 20 kg.

The following diagram is for reference only; we take the model AC-WM05 bracket, active deterrence turret and active deterrence PTZ camera as examples. If you need the brackets and cameras used in the illustration, please contact the sales department for purchase.

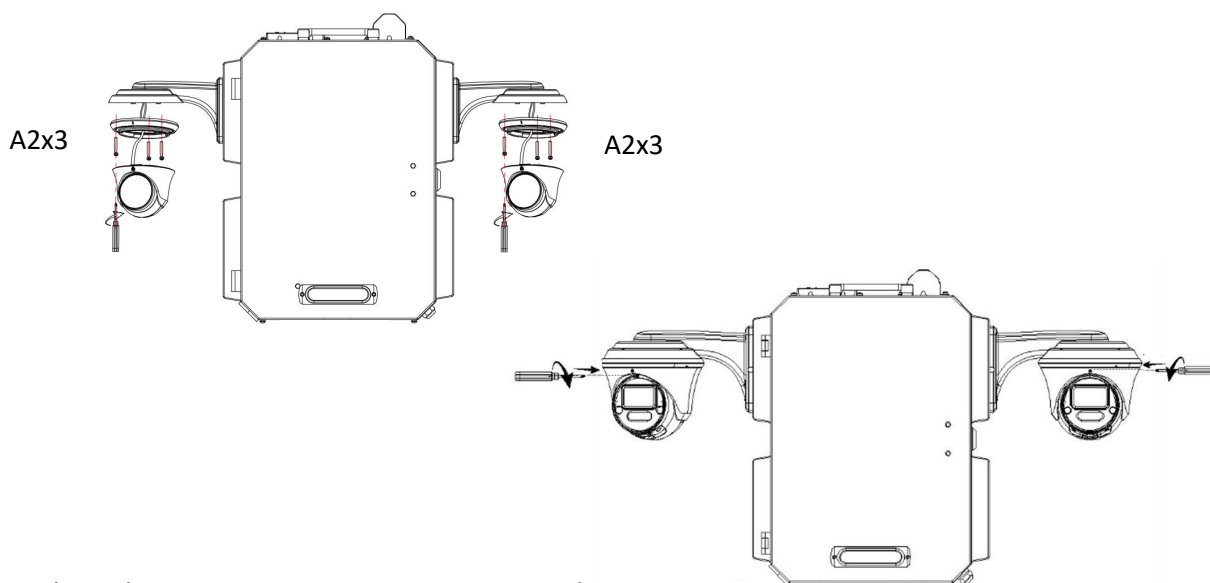
SCENARIO 1: 2 CAMERAS

Cameras Installation

1. Tighten the screws (M4x15mm) to fix the brackets onto the iQBox.



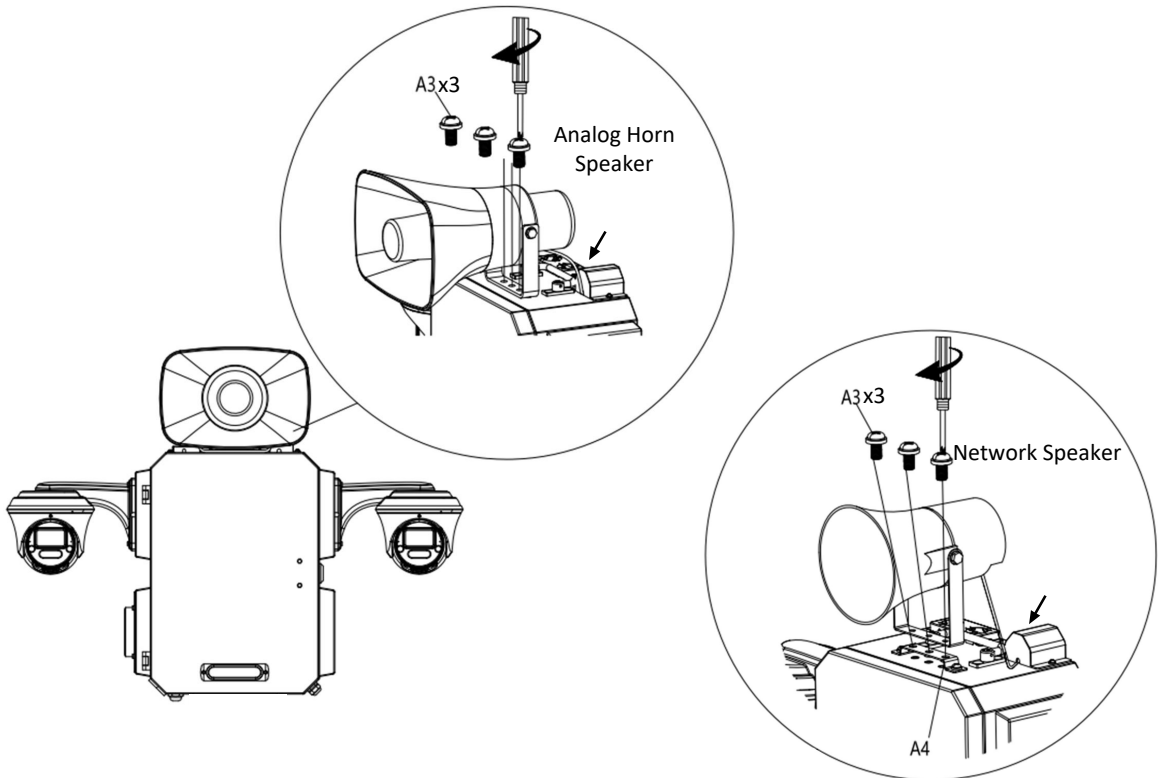
2. Thread the tail wire through the bracket and the iQBox, tighten the screws (M4x8mm) to fix the turret cameras onto the brackets.



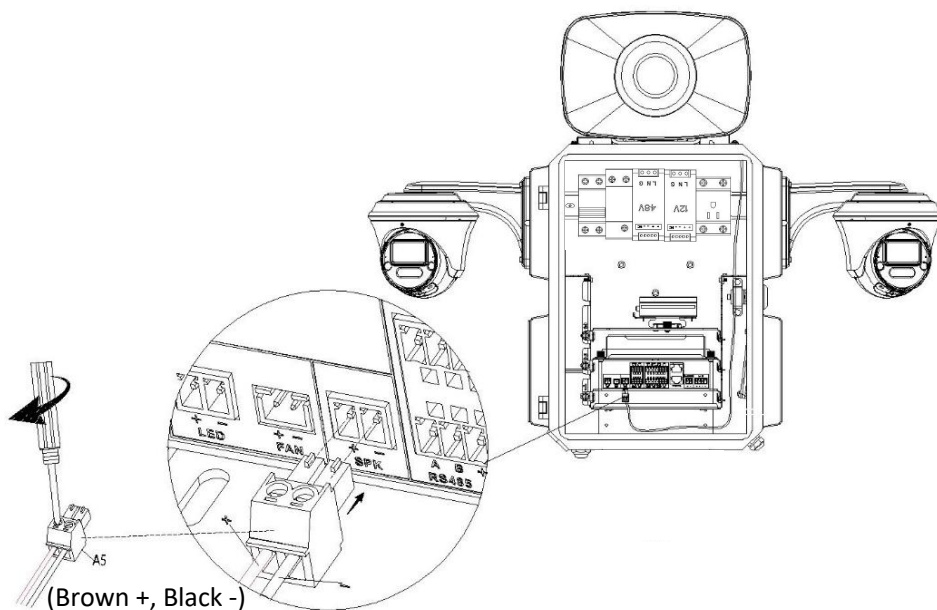
3. Adjust the cameras to get an optimum angle
Tighten the screws and complete the cameras installation.

Analog and Network Speaker Installation

1. Tighten the screws (M6x10mm) to mount the Horn Speaker on top of the iQBox. If installing a Network Speaker, it can be assembled using the speaker bracket.



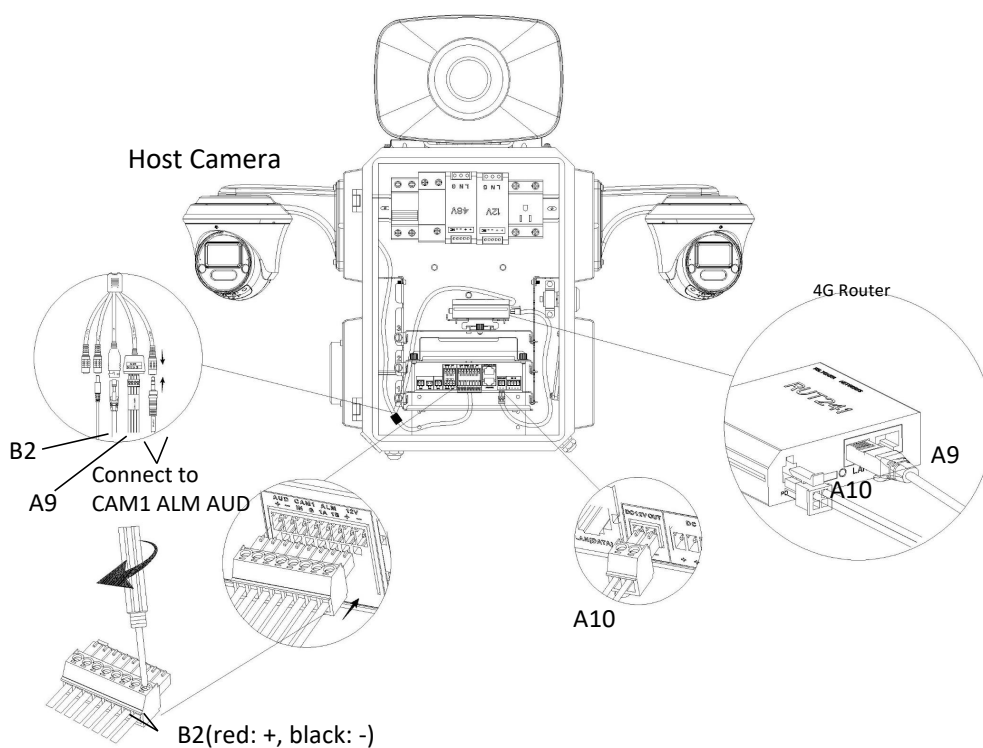
2. Thread the power cable of the Horn Speaker through the iQBox, and connect it to the 'SPK' port on the alarm panel via the P-Term: 2-pin. If connecting a Network Speaker, it can be powered by a PoE switch via an Ethernet cable.



Camera Cable Connection

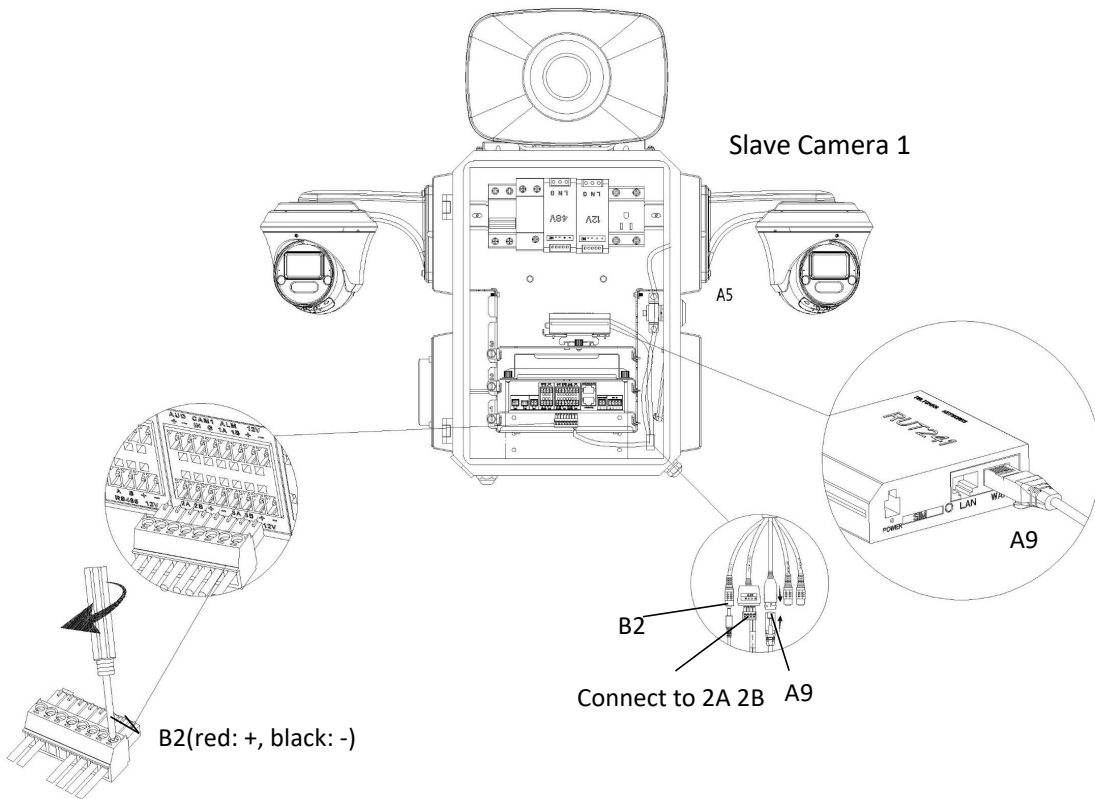
[NOTE] Before connecting the cameras, you need to select one camera as the host camera. This diagram takes the left - side camera as an example. If you need the 4G Router used in the illustration, please contact the sales department for purchase.

1. Mount the 4G router at the position indicated in the iQBox diagram. Use the power cable to connect to the 'DC12 OUT' port on the alarm panel for power supply to the 4G router.



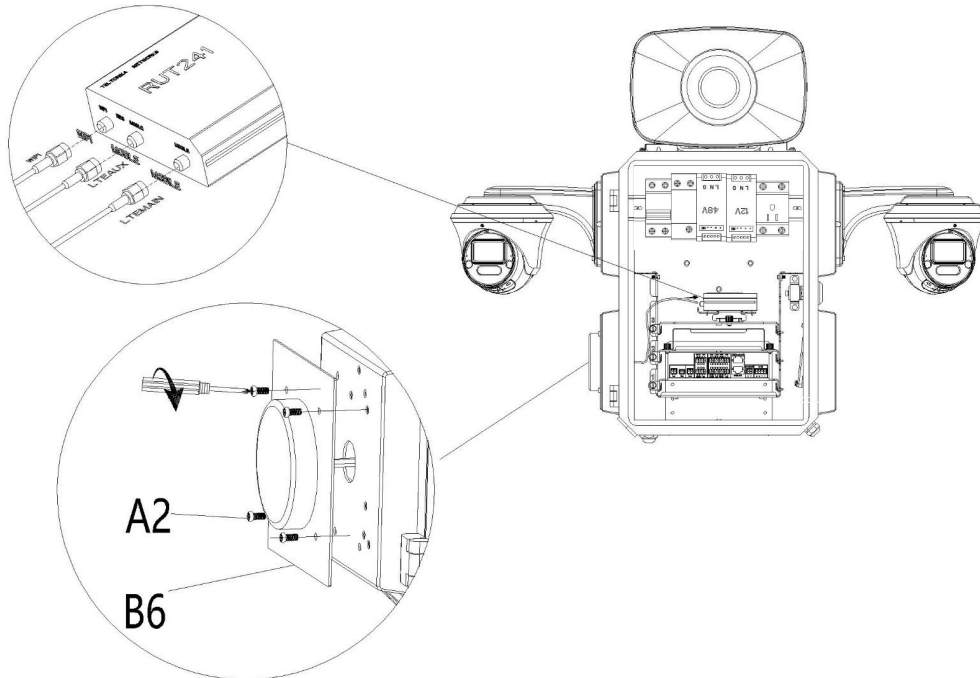
2. Connect the audio, alarm in, alarm out, and power ports of Host Camera to the 'AUD/CAM1/ALM/12V' ports on the alarm panel. Connect the camera's network port to the 4G router.

3. Connect the Alarm out, Power ports of the Slave Camera 1 to the '2A 2B' port on the alarm panel. Connect the camera 1's network ports to the 4G router.



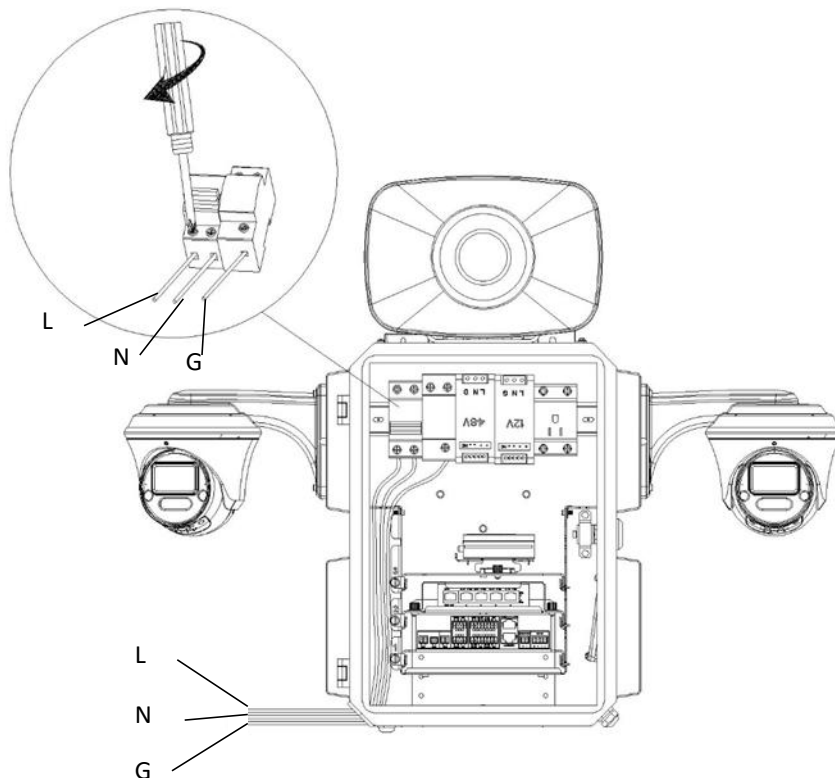
Antenna Installation

1. Tighten the screws (M4x8mm) to fix the 4G Antenna Mount on the iQBox, then connect the three antenna signal transmission cables to the corresponding ports on the 4G router.



Power Cable Connection

1. The power cables can be routed through the bottom of the iQBox. Connect the live wire and neutral wire to the air switch, and connect the ground wire to the lightning protection device, as shown in the figure below.

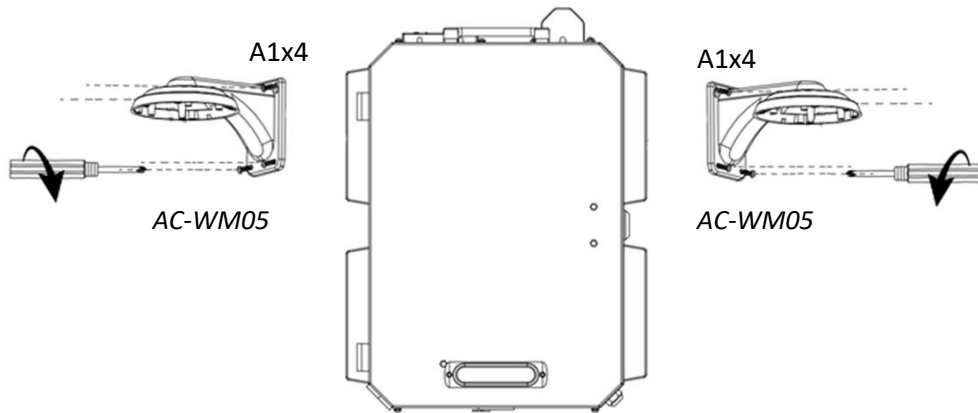


SCENARIO 2: 3 CAMERAS

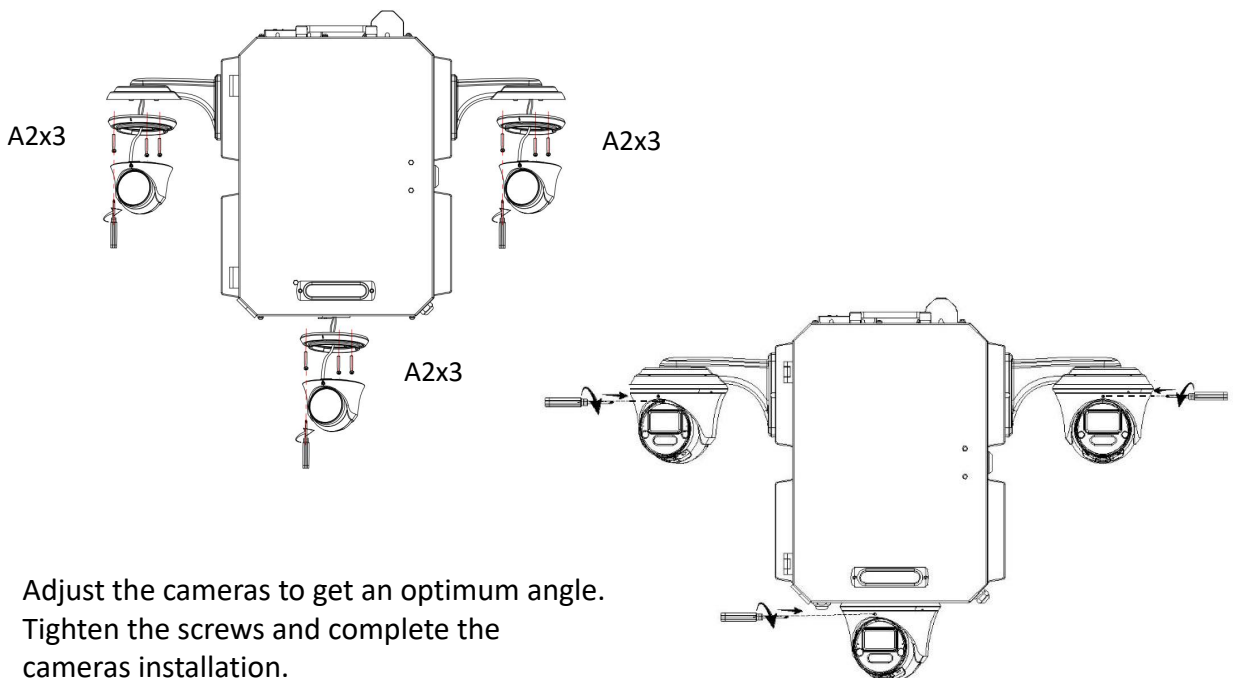
[NOTE] For the installation of the speaker, please refer to the previous section.

Cameras Installation

1. Tighten the screws (M4x15mm) to fix the brackets onto the iQBox.



2. Thread the tail wire through the bracket and the iQBox, tighten the screws (M4x8mm) to fix the turret cameras onto the brackets.

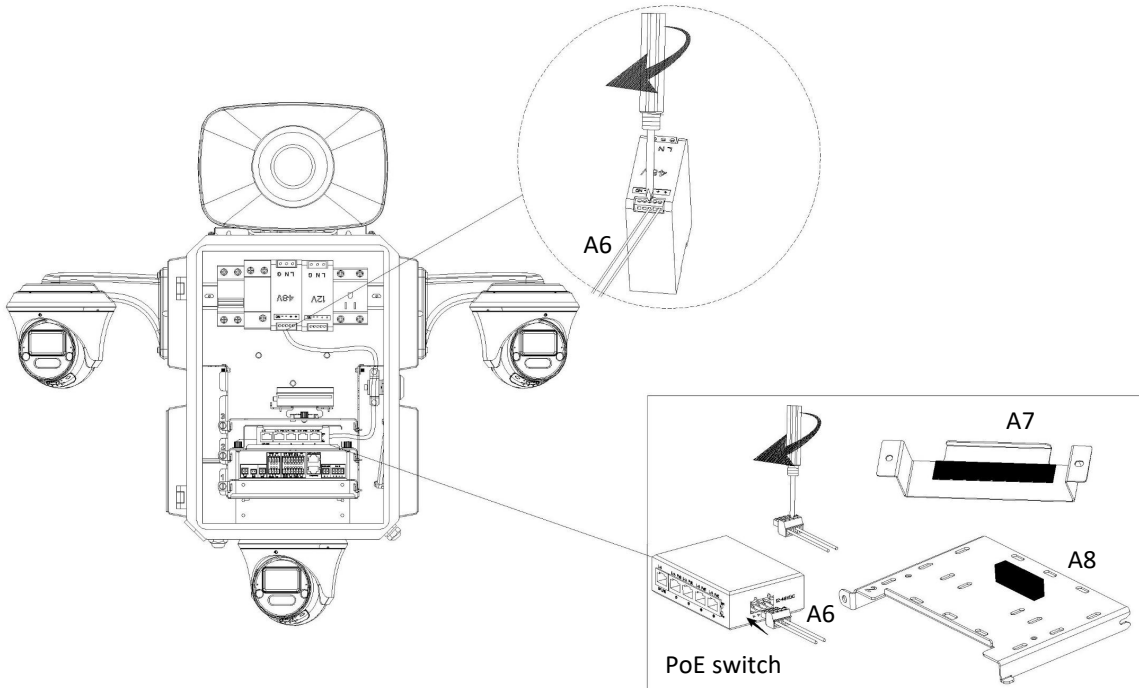


3. Adjust the cameras to get an optimum angle. Tighten the screws and complete the cameras installation.

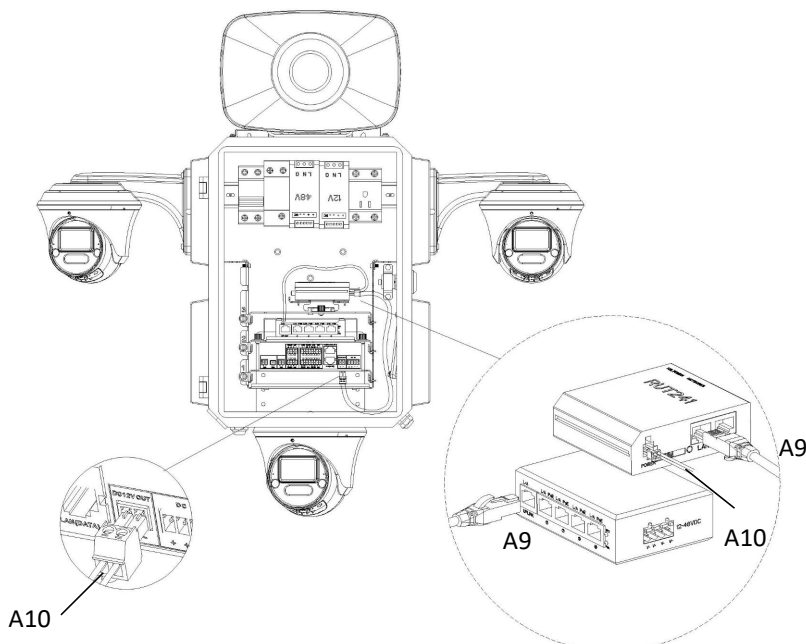
PoE Switch and 4G Router Installation

[NOTE] If you need the 4G Router and PoE Switch used in the illustration, please contact the sales department for purchase.

1. Mount the PoE switch at the position indicated in the iQBox diagram by using two pieces of foam. Use the power cable to connect the iQBox DC48V adapter for power supply to the PoE switch.



2. Use the power cable to connect to the 'DC12 OUT' port on the alarm panel for power supply to the 4G router.

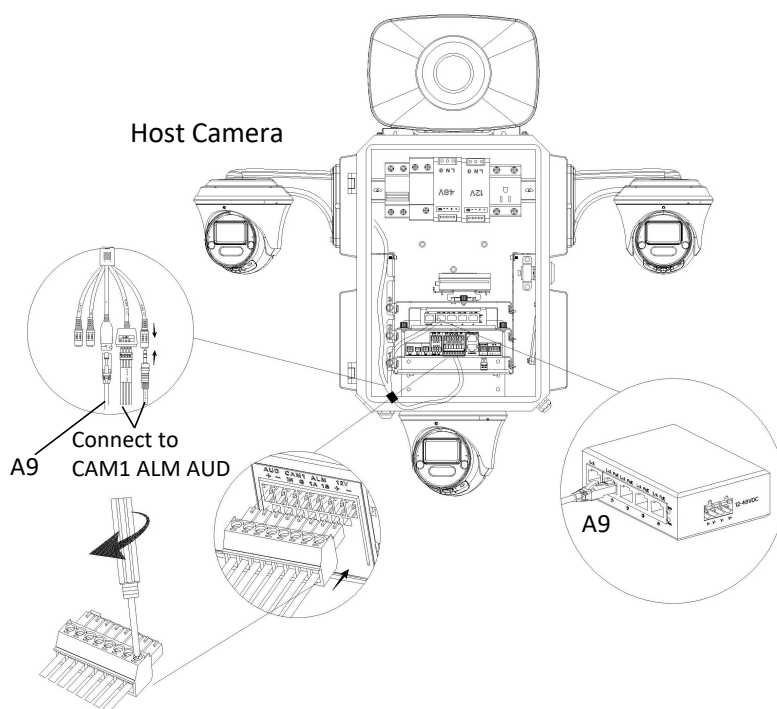


3. Use the Ethernet Cable to connect to uplink port of PoE switch and the 4G router.

Camera Cable Connection

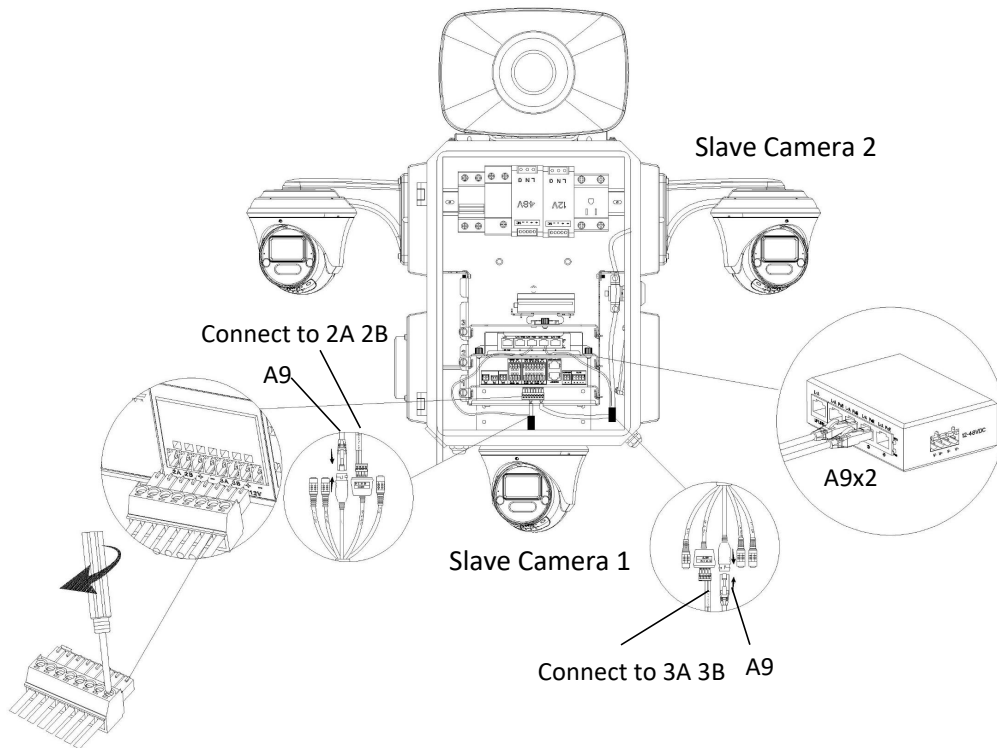
[NOTE] Before connecting the cameras, you need to select one camera as the host camera. This diagram takes the left - side camera as an example.

1. Mount the 4G router at the position indicated in the iQBox diagram. Use the power cable to connect to the 'DC12 OUT' port on the alarm panel for power supply to the 4G router.



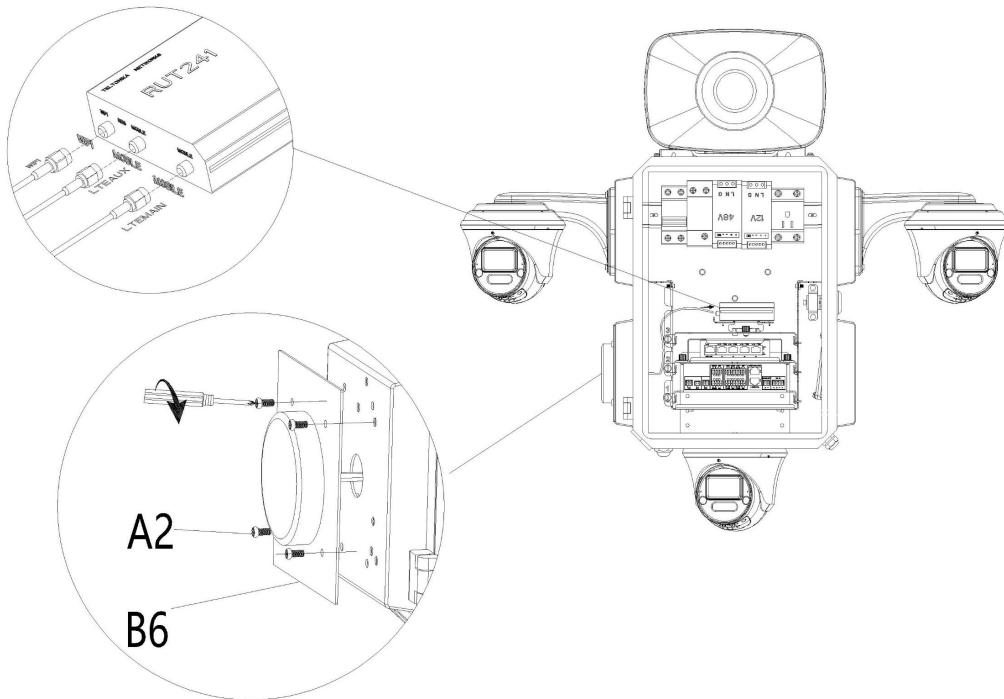
2. Connect the audio, alarm in and alarm out ports of Host Camera to the 'AUD/CAM1/ALM' ports on the alarm panel. Connect the camera's network port to the PoE switch.

3. Connect the Alarm out ports of the Slave Camera 1/2 to the '2A 2B , + -'/3A3B, + -' ports on the alarm panel. Connect the camera 1/2 's network ports to the PoE switch.



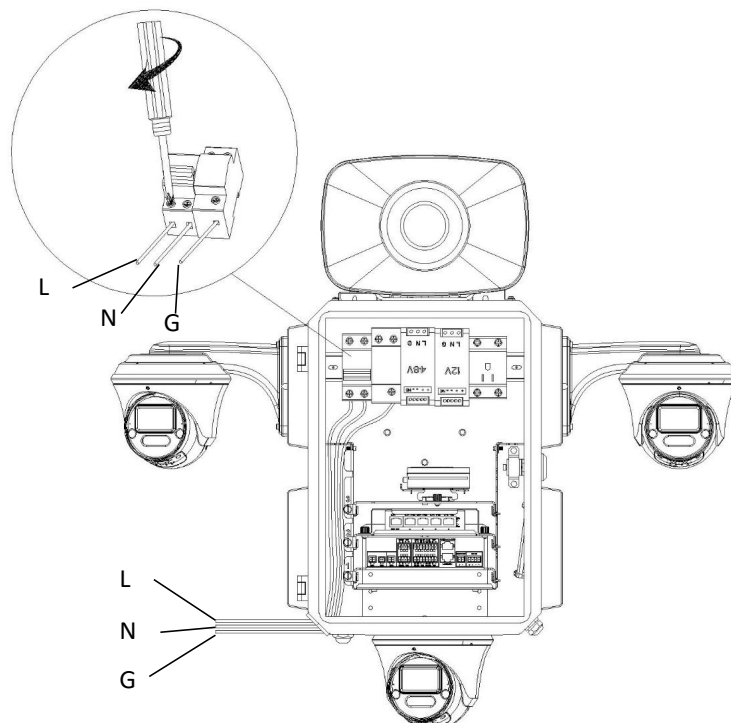
Antenna Installation

1. Tighten the screws (M4x8mm) to fix the 4G Antenna Mount on the iQBox, then connect the three antenna signal transmission cables to the corresponding ports on the 4G router.



Power Cable Connection

1. The power cables can be routed through the bottom of the iQBox. Connect the live wire and neutral wire to the air switch, and connect the ground wire to the lightning protection device, as shown in the figure below.

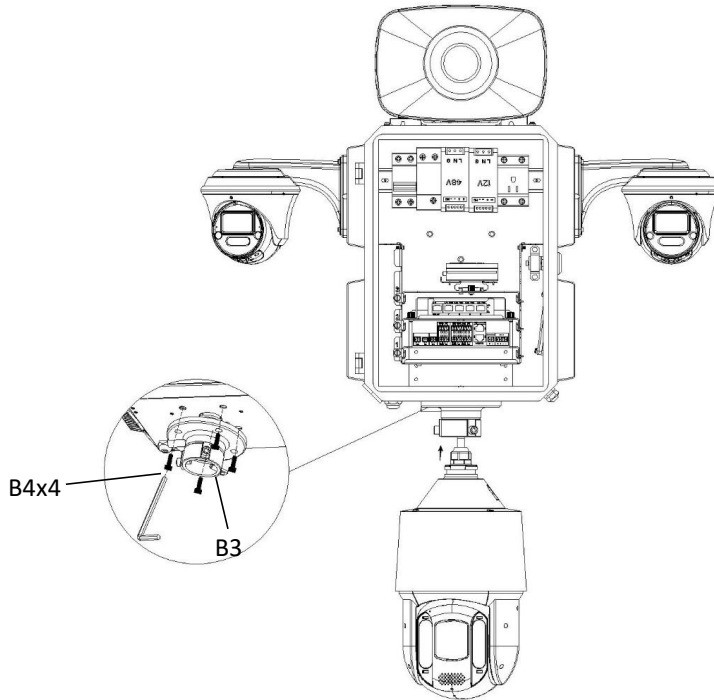


SCENARIO 3: 2 CAMERAS + 1 PTZ CAMERA

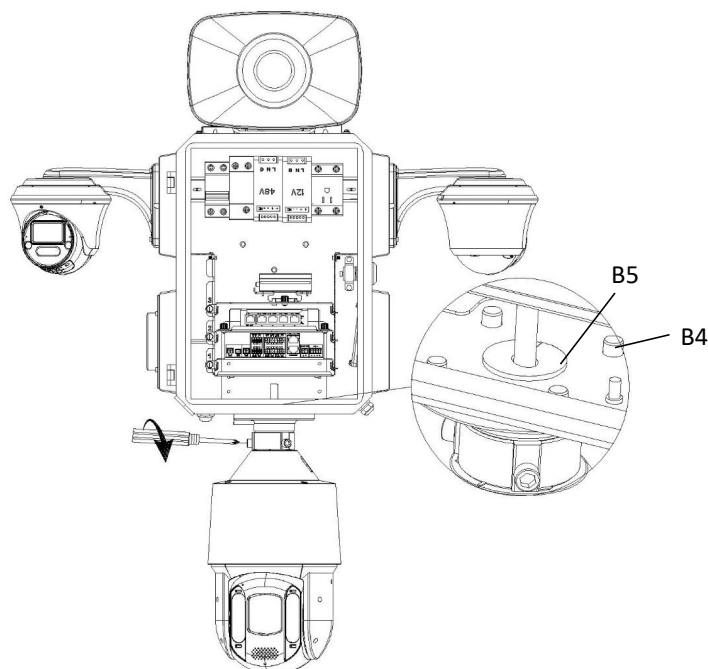
[NOTE] For the installation of the cameras and the speaker, please refer to the previous section.

PTZ Cameras Installation

1. Tighten the screws (M8x25mm) to fix the connection plate on the iQBox.



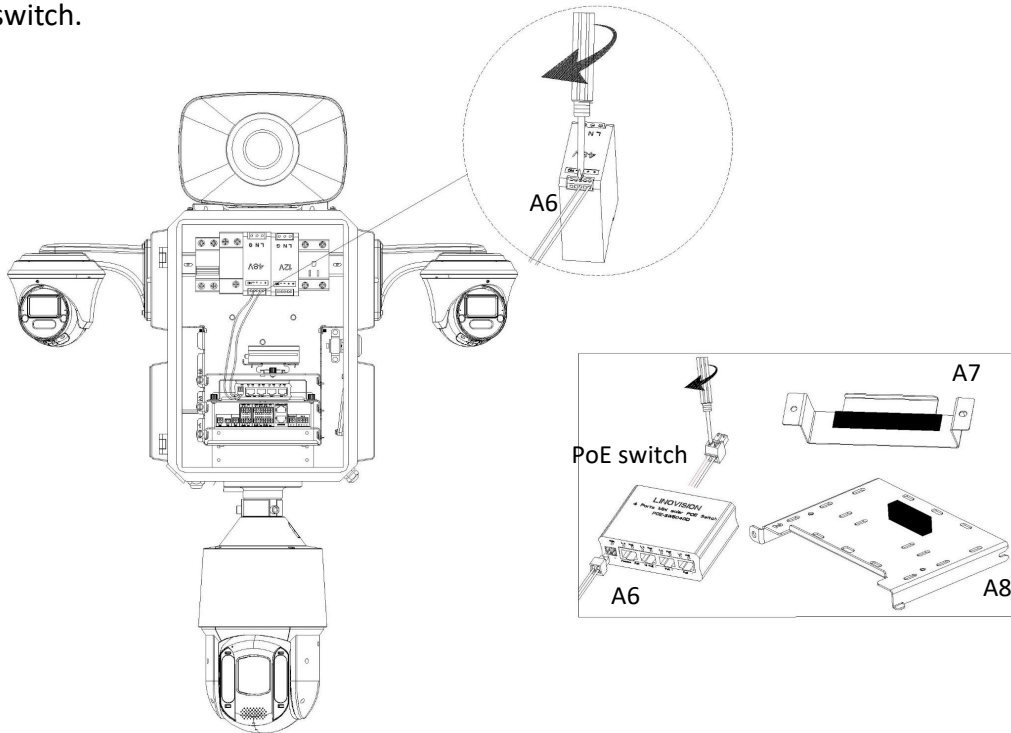
2. Lead the wires from the connecting rod, and thread it through the waterproof grommet, then fix the connecting rod on the connection plate.



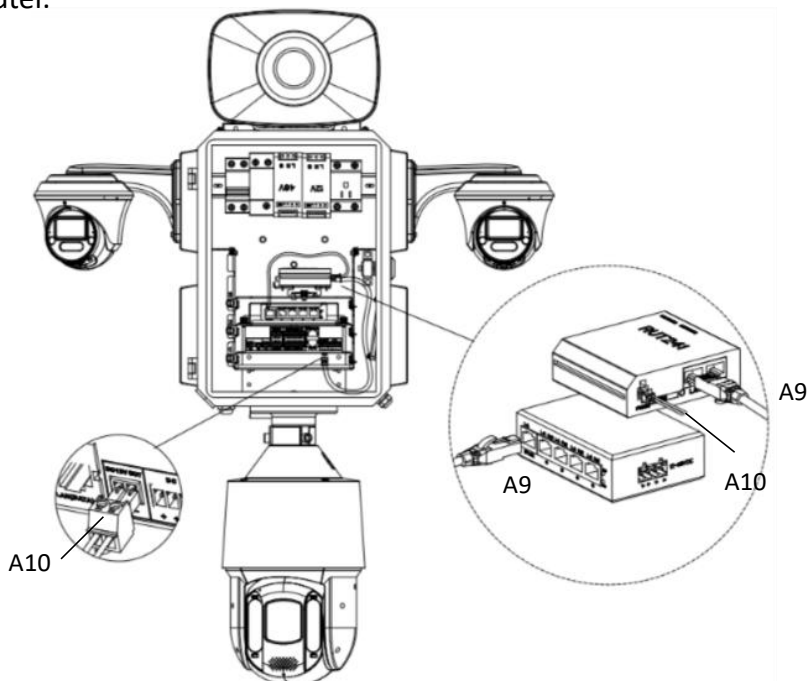
PoE Switch and 4G Router Installation

[NOTE] If you need the 4G Router and PoE Switch used in the illustration, please contact the sales department for purchase.

1. Mount the PoE switch at the position indicated in the iQBox diagram by using two pieces of foam. Use the power cable to connect the iQBox DC48V adapter for power supply to the PoE switch.



2. Use the power cable to connect to the 'DC12 OUT' port on the alarm panel for power supply to the 4G router.

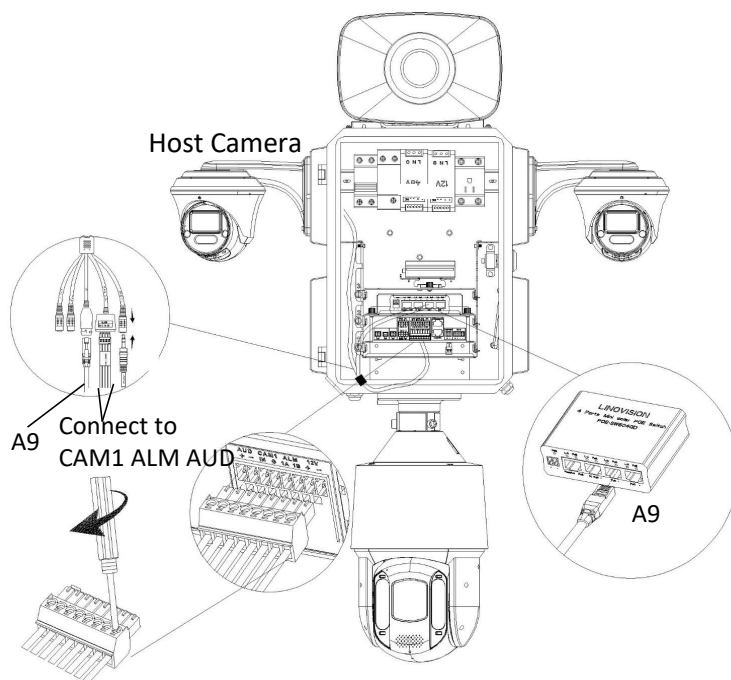


3. Use the Ethernet Cable to connect to uplink port of PoE switch and the 4G router.

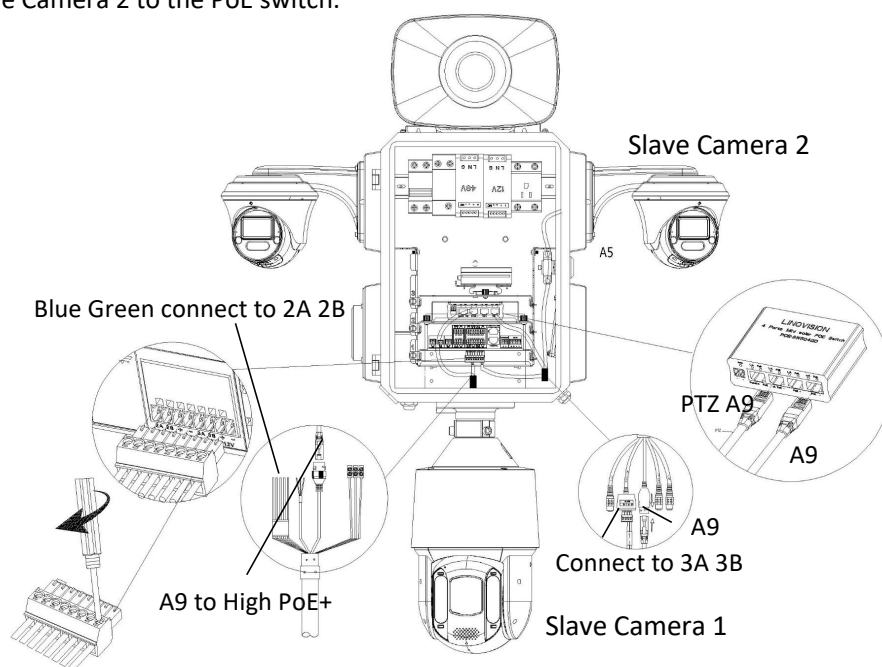
Camera Cable Connection

[NOTE] Before connecting the cameras, you need to select one camera as the host camera. This diagram takes the left - side camera as an example.

1. Connect the audio, alarm in, and alarm out ports of Host Camera to the 'AUD/CAM1/ALM' ports on the alarm panel. Connect the camera's network port to the PoE switch.



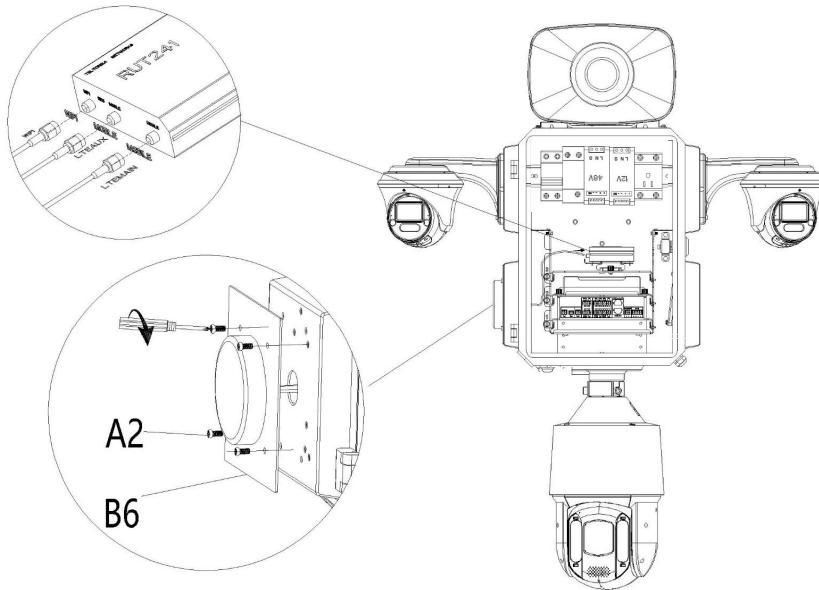
2. Connect the alarm out ports of the Slave Camera 1/2 to the '2A 2B'/'3A 3B' ports on the alarm panel. Connect the network port of the PTZ camera(Slave Camera 1) to the High PoE+ port of the PoE switch. Connect Slave Camera 2 to the PoE switch.



[Note] If a Non-PoE switch is used or network is not required, the PTZ camera can be powered separately via the PTZ power adapter using the outlet on the iQBox, and the turret camera can be powered via the alarm panel.

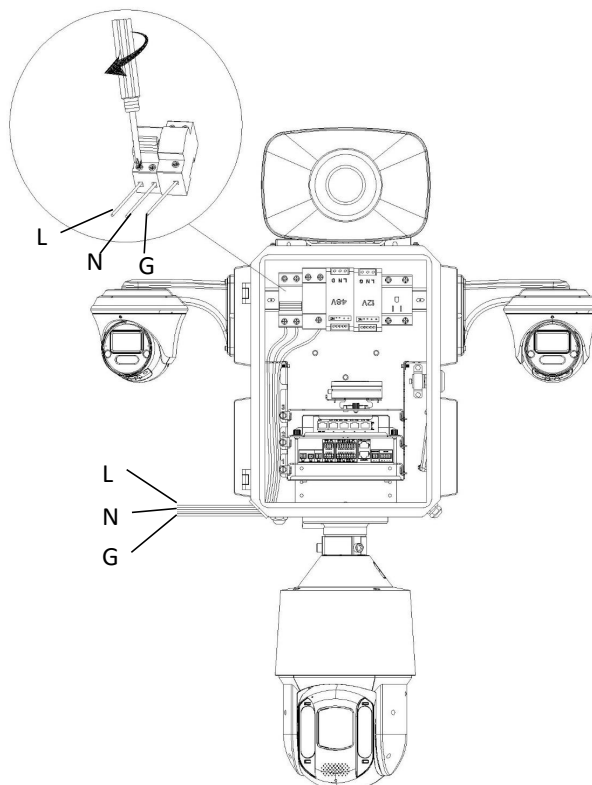
Antenna Installation

1. Tighten the screws (M4x8) to fix the 4G Antenna Mount on the iQBox, then connect the three antenna signal transmission cables to the corresponding ports on the 4G router.



Power Cable Connection

1. The power cables can be routed through the bottom of the iQBox. Connect the live wire and neutral wire to the air switch, and connect the ground wire to the lightning protection device, as shown in the figure below.



CAUTION



This symbol is intended to alert users of important operations and maintenance instructions within the documentation accompanying the product.



This symbol is intended to alert users of uninsulated 'dangerous voltage' within the product enclosure that may be strong enough to pose a risk of electric shock to untrained personnel.

	CAUTION:	
SHOCK	RISK OF ELECTRIC SHOCK. DO NOT OPEN	
CAUTION	CAUTION: To reduce the risk of electric shock. Do not remove cover or back. There are no user serviceable parts inside. Refer products to suppliers. To prevent electric shocks and risk of fire hazard, do not an specified power source.	



CAUTIONS:

- Please note the cameras operating temperature and its environment requirements. Avoid using the cameras in extremely high or low temperatures. The recommended operating temperature is -40~ +60°C. To avoid damage to the light processor (CMOS), do not expose the camera lens to direct sunlight or other bright light sources.
- Do not mount the camera near radiators or heat sources.
- The power supply must match the requirements of the camera. Ensure the output voltage, current, voltage polarity and operating temperature are within the range required by the camera power supply.
- During a thunderstorm, please ensure an anti-thunder device is connected or disconnect the power supply to the camera

Technical Support

