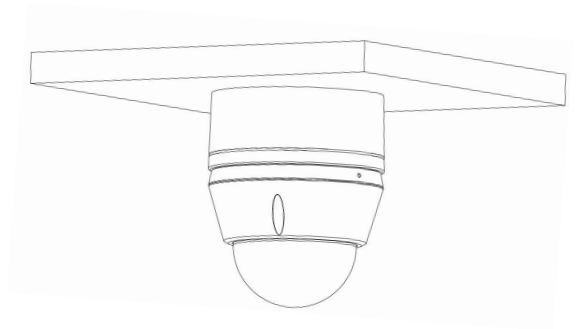


Homaxi

JB02 & DF3

INSTALLATION GUIDE



V1.0.0

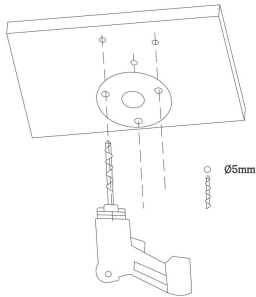
APPEARANCE



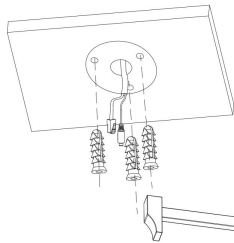
AC-JB02

INSTALLATION

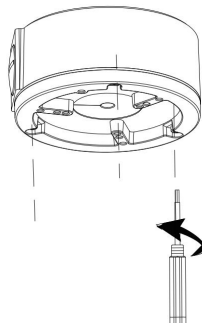
1. Stick the mounting template to the wall where the junction box will be installed. Then drill the holes as marked on the template.



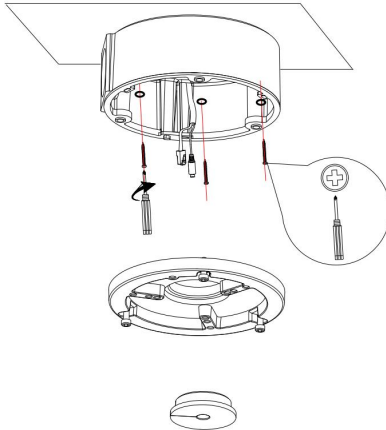
2. Insert the expansion bolts into the drilled holes and tap them in with a hammer.



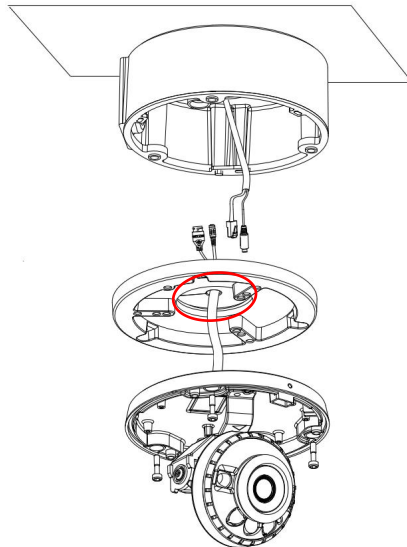
3. Loosen the screws that come with the junction box, as shown below.



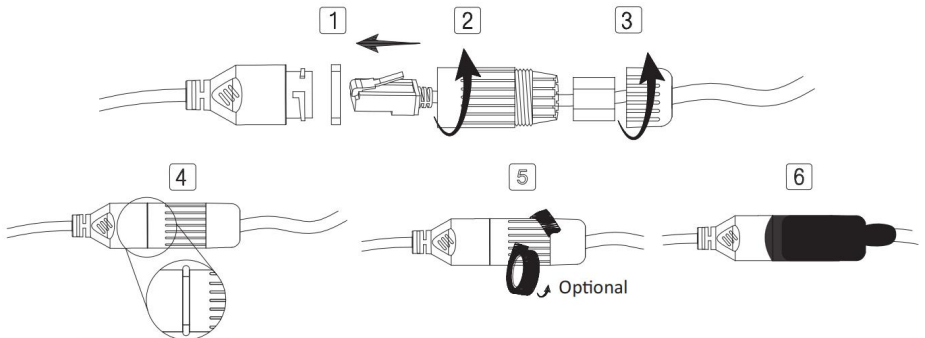
4. Thread the tail wire through the hole of the junction box, tighten the 3 screws with black rubber ring pads to fix the junction box on the wall.



5. Thread camera's tail wire through the cover of the junction box, put the seal plug in the junction box.



6. Connect the camera's tail cable Please refer to the steps below to complete the RJ45 cable waterproof.

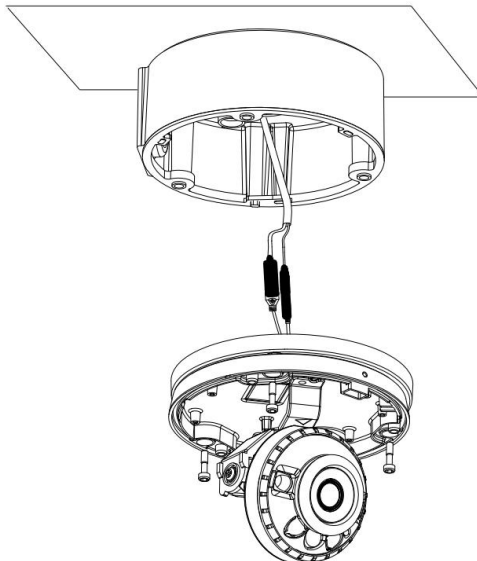


Note: Tighten until the sealing ring is push out.

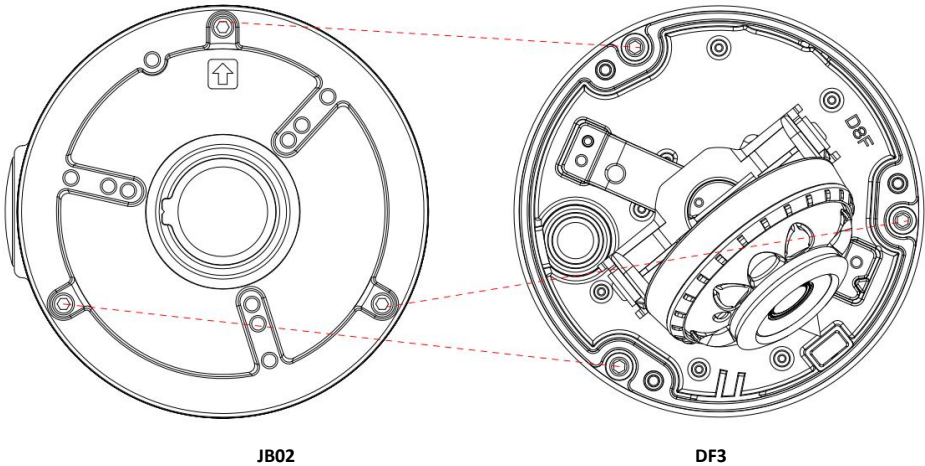
Steps:

- 1) Attach the seal ring to the copper interface and insert the cable into the Ethernet copper interface.
- 2) Screw the waterproof bolt in.
- 3) Screw in the waterproof bolt lid.
- 4) Tighten until the sealing ring is push out.
- 5) Optional: Use the waterproof tape to cover the RJ45 waterproof cover.
- 6) Finish the installation.

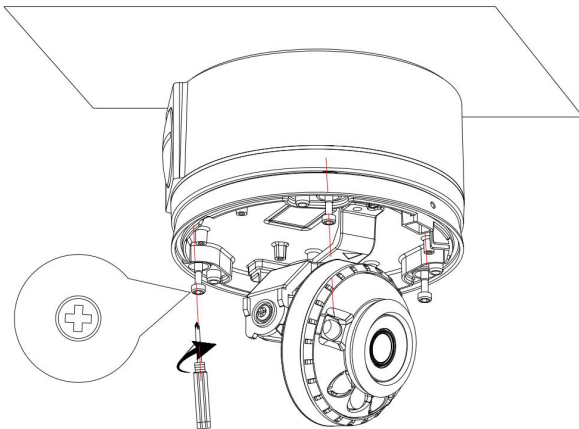
7. Put the cable back into the junction box through the round hole. (The round hole has enough space for plugging the wire).



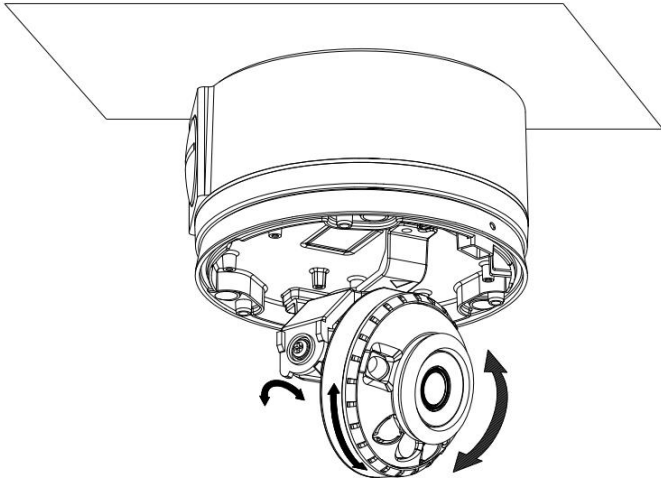
8. Match JB02 & DF3 with the three mounting screw holes, as shown below.



9. Fix the camera, cover of the junction box onto the junction box, tighten the screws (**M4*20**).



10. Power on the camera to check whether the image on the monitor is gotten from the optimum angle. If not, adjust the camera according to the figure below to get an optimum angle.



11. Tighten the screws and complete the installation.

